

SLOW CURVE TABLE LAMP

DESCRIPTION

Hand fabricated steel and bronze.

FINISH

Shown in Polished Steel Stipple.

Textures on lamps are for illustration purposes only.
See photos for more accuracy.

SHADE

Low Luster Satin Weave in White with Silver Silk Trim.

DIMENSIONS

Base - 7" x 4" x 32" H.

Shade - Retro Drum 17" x 16" x 11" H.

NET WT.

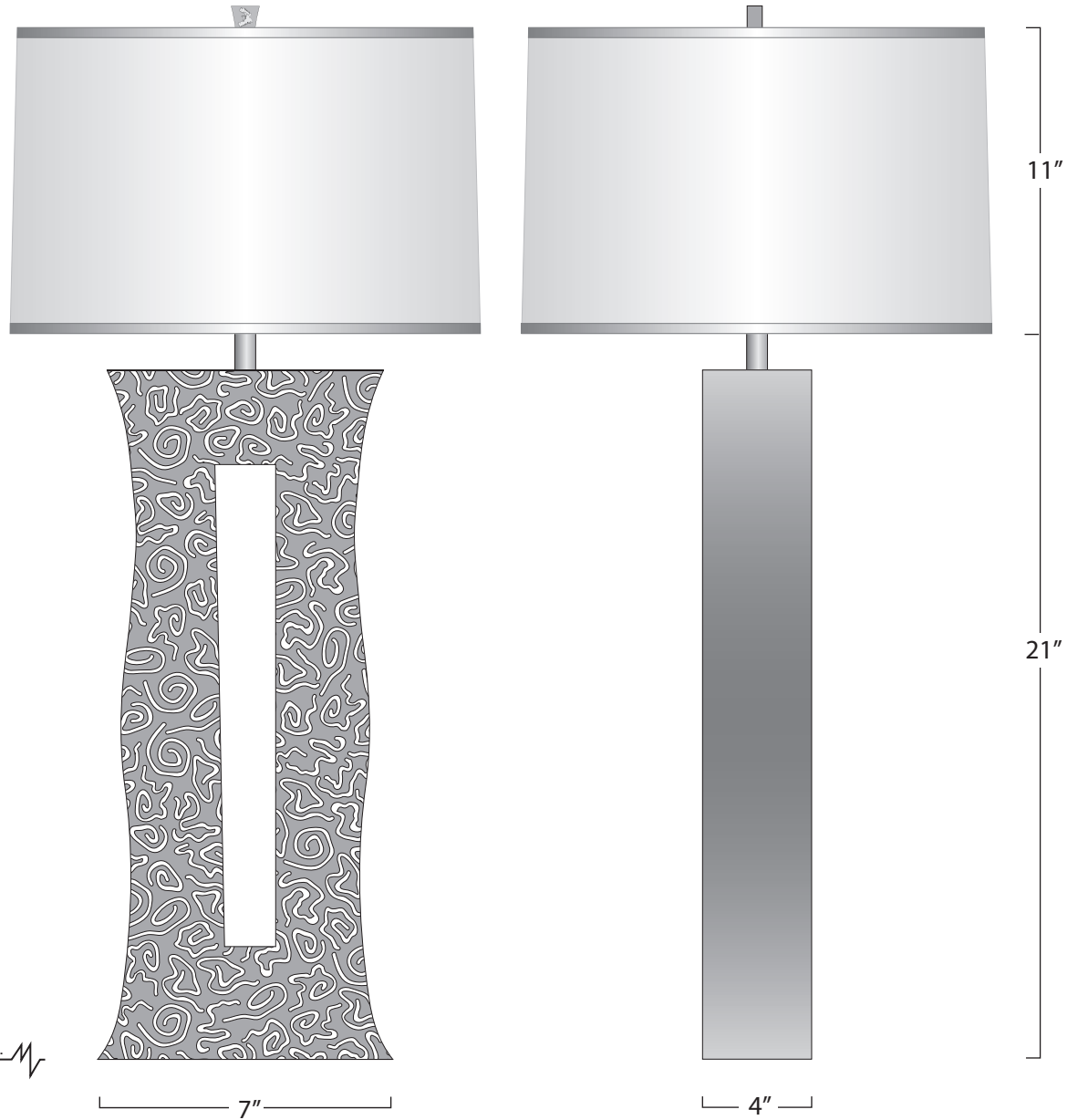
Approx. 22 lbs.

ELECTRICAL

1-E 26 Full Range Socket Dimmer Switch.
150 Watt max. 8 ft. cord with molded plug.

MADE WITH UL LISTED COMPONENTS.

For more information please visit Metalventure.com





Slow Curve Table Lamp
Polished Steel Stipple