

# ARC TABLE LAMP

## DESCRIPTION

Hand fabricated steel and bronze.

## FINISH

Shown in Polished Steel Stipple.

Textures on lamps are for illustration purposes only.  
See photos for more accuracy.

## SHADE

Low Luster Satin Weave in White with Silver Silk Trim.

## DIMENSIONS

Base - 6.5" x 4" x 32" H.

Shade - Retro Drum 16" x 15" x 10" H.

## NET WT.

Approx. 23 lbs.

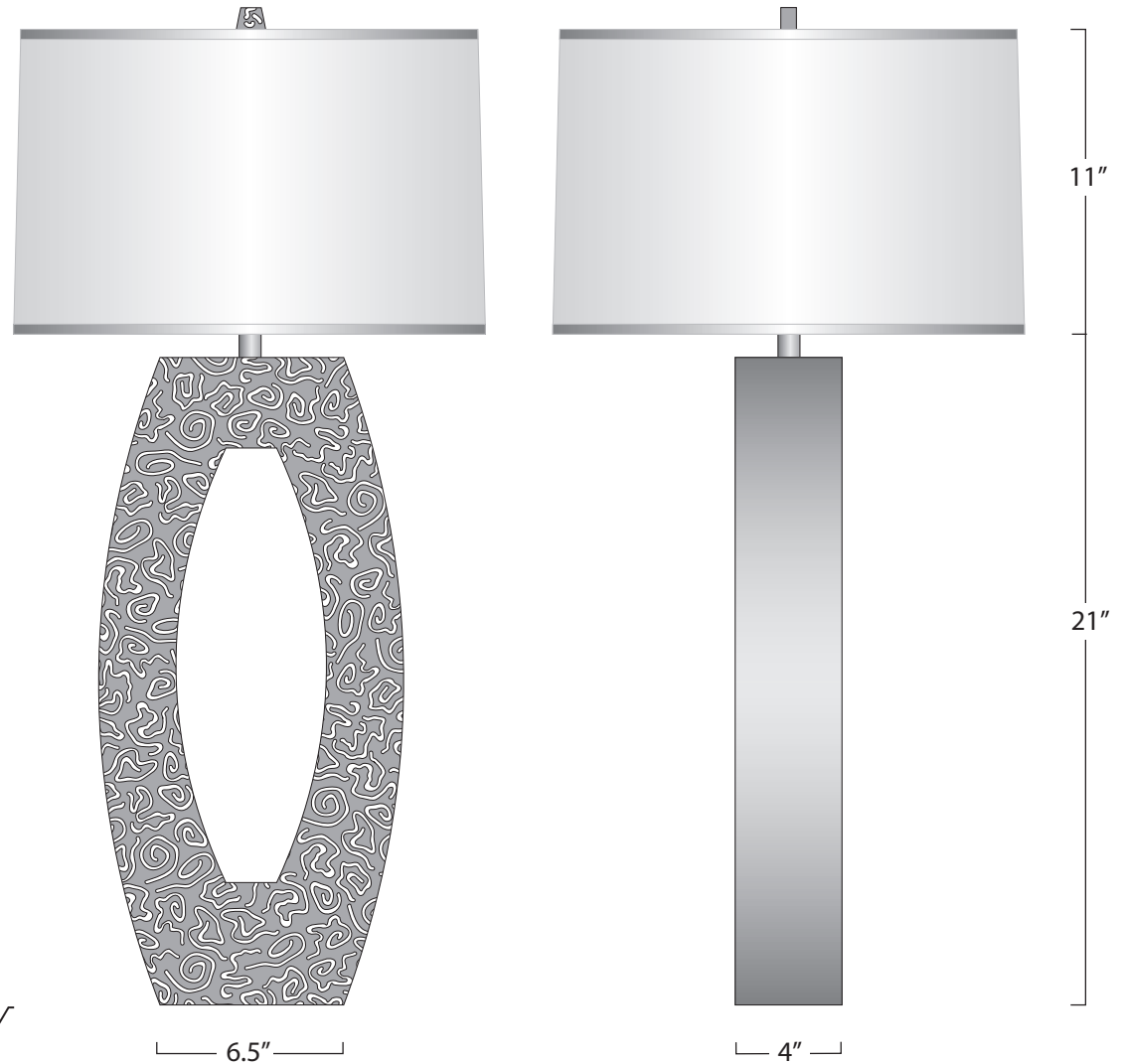
## ELECTRICAL

1-E 26 Full Range Socket Dimmer Switch.

150 Watt max. 8 ft. cord with molded plug.

MADE WITH UL LISTED COMPONENTS.

For more information please visit [Metalventure.com](http://Metalventure.com)





Arc Table Lamp  
Polished Steel Stipple