

# ARC FLOOR LAMP

## DESCRIPTION

Hand fabricated steel and bronze.

## FINISH

Shown in Polished Bronze Stipple.

Textures on lamps are for illustration purposes only. See photos for more accuracy.

## SHADE

Low Luster Satin Weave in Ivory with Bronze Silk Trim.

## DIMENSIONS

Base - 16" x 9" x 67" H.

Shade - Box Rec. 19" x 18" x 12" H.

## NET WT.

Approx. 60 lbs.

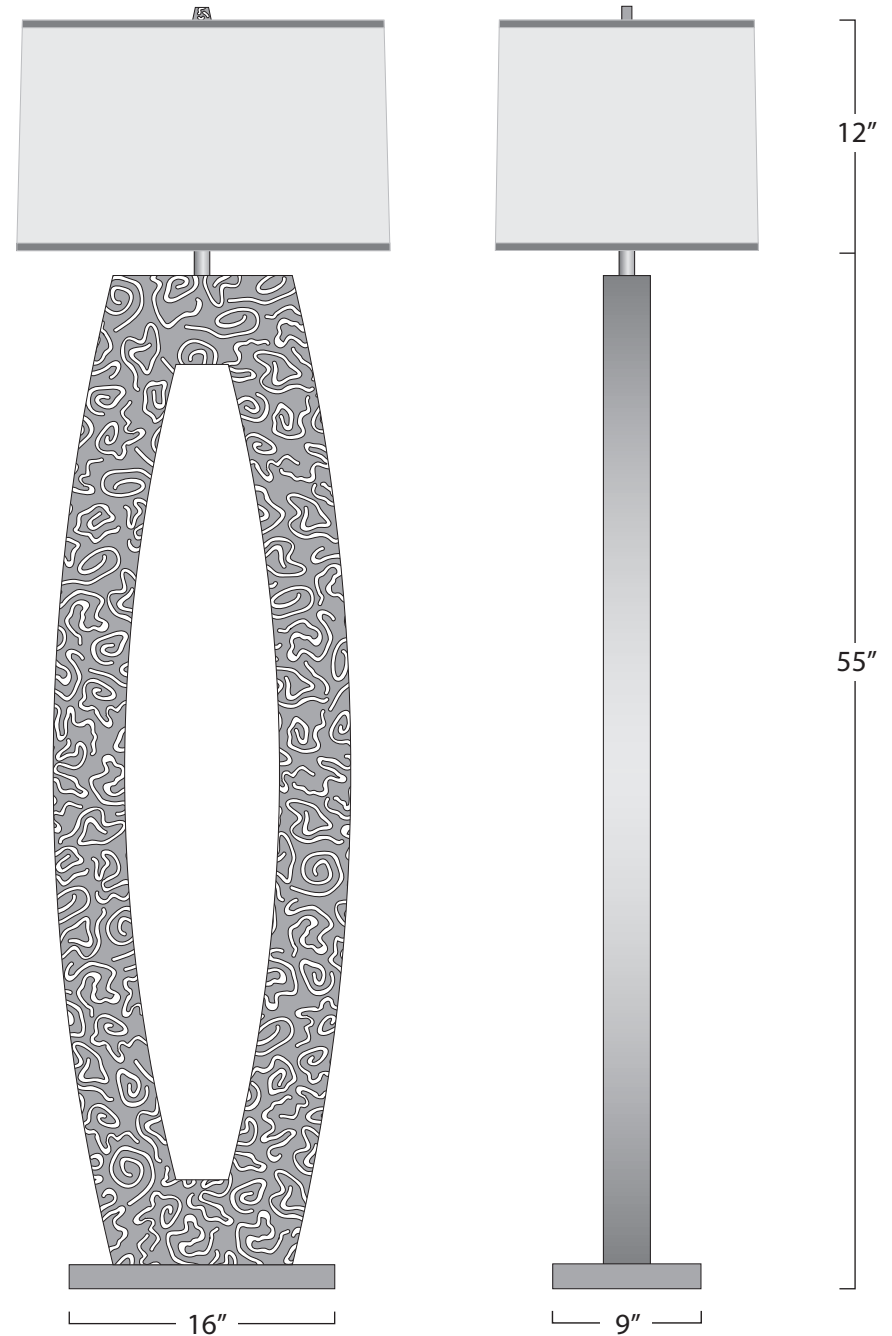
## ELECTRICAL

1-E 26 Full Range Socket Dimmer Switch.

150 Watt max. 10 ft. cord with molded plug.

MADE WITH UL LISTED COMPONENTS.

For more information please visit [Metalventure.com](http://Metalventure.com)





Arc Floor Lamp  
Polished Bronze Stipple